

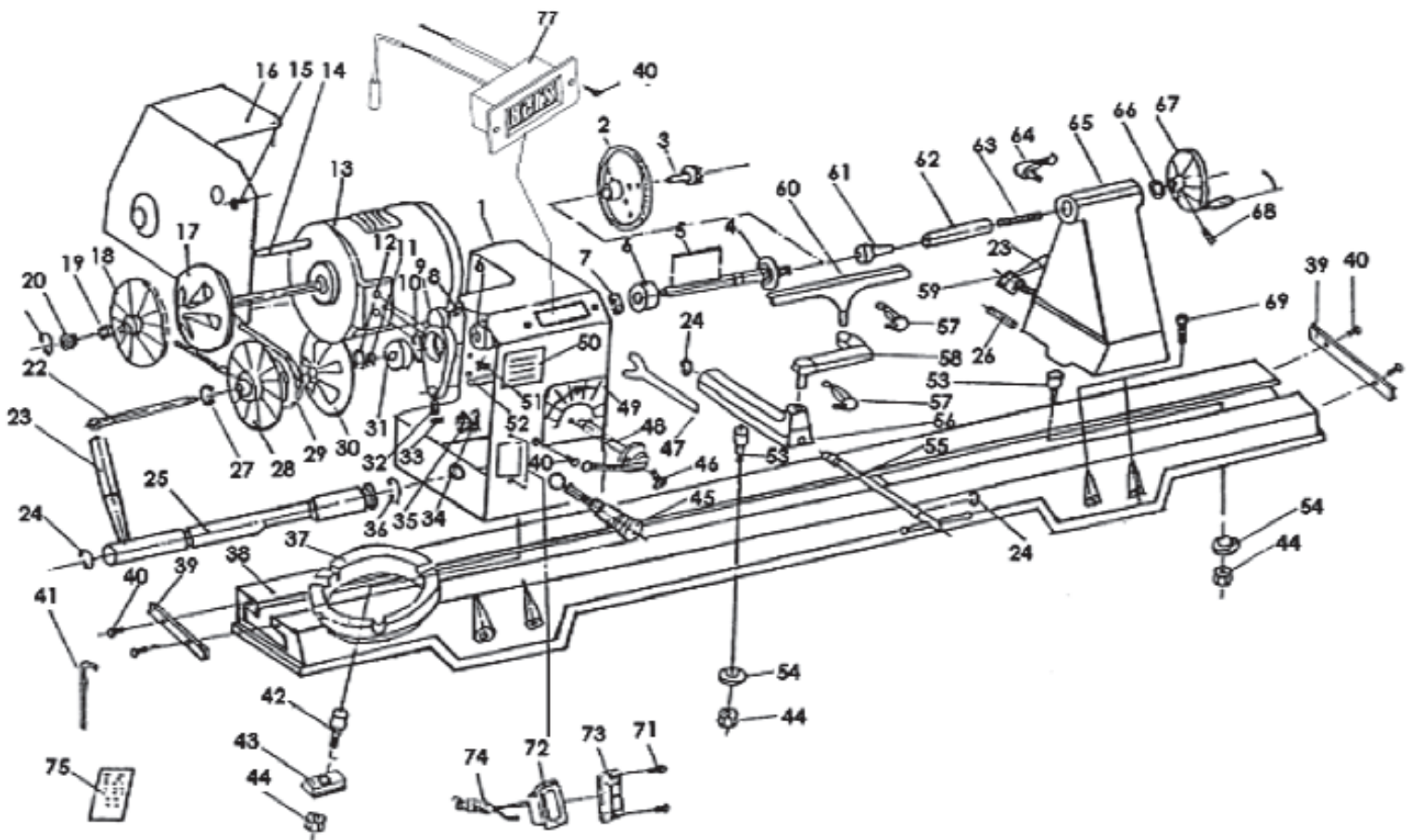


SPARE PARTS DRAWING SHEET FOR

750W 230V 1100mm Digital Wood Lathe

Stock No.60990

Part No.WTL1100



Helpline: (023) 8049 4344. **Sales Desk:** (023) 8049 4333. **General Enquiries:** (023) 8026 6355.

DRAPER TOOLS LTD, HURSLEY ROAD, CHANDLER'S FORD, EASTLEIGH, HANTS. SO53 1YF. U.K website: www.drapertools.com e-mail: sales@drapertools.com

DKKC240714



SPARE PARTS LISTING SHEET FOR

750W 230V 1100mm Digital Wood Lathe

Stock No.60990

Part No.WTL1100

KEY No.	PART No.	STOCK No.	DESCRIPTION
1	YWTL1100-01	62154	Headstock
2	YWTL1100-02	62157	Faceplate
3	YWTL1100-03	62158	Headstock Spur
4	YWTL1100-04	62159	Spindle
5	YWTL1100-05	62217	Key
6	YWTL1100-06	62218	Bearing
7	YWTL1100-07	62219	"C" Ring
8	YWTL1100-08	62220	Spring
9	YWTL1100-09	62221	Bracket-shifting Lever
10	YWTL1100-10	62222	"C" Ring
11	YWTL1100-11	62238	"C" Ring
12	YWTL1100-12	62241	"C" Ring
13	YWTL1100-13	62252	Motor
14	YWTL1100-14	62253	Key
15	YWTL1100-15	62260	Screw
16	YWTL1100-16	62261	Cover-motor
17	YWTL1100-17	62265	Pulley-motor (Right)
18	YWTL1100-18	62266	Pulley-motor (Left)
19	YWTL1100-19	62267	Spring
20	YWTL1100-20	62269	Sleeve
21	YWTL1100-21	62277	"C" Ring
22	YWTL1100-22	62303	Push-out Rod
23	YWTL1100-23	62304	Knob
24	YWTL1100-24	62316	"C" Ring
25	YWTL1100-25	62320	Eccentric Rod
26	YWTL1100-26	62328	Screw
27	YWTL1100-27	62338	"C" Ring
28	YWTL1100-28	62339	Pulley-spindle (Left)
29	YWTL1100-29	62340	V-belt
30	YWTL1100-30	62341	Pulley-spindle (Right)
31	YWTL1100-31	62341	Bearing
32	YWTL1100-32	62343	Nut-lock
33	YWTL1100-33	62344	Nut
34	YWTL1100-34	62346	Clamp
35	YWTL1100-35	62347	Nut M4
36	YWTL1100-36	62366	"C" Ring
37	YWTL1100-37	62374	Turning Base
38	YWTL1100-38	62382	Bed
39	YWTL1100-39	62389	Baffle
40	YWTL1100-40	62390	Screw
41	YWTL1100-41	62391	Hex Wrench

KEY No.	PART No.	STOCK No.	DESCRIPTION
42	YWTL1100-42	62392	Bolt-A
43	YWTL1100-43	62398	Clamp-A
44	YWTL1100-44	62403	Hex Nut
45	YWTL1100-45	62406	Angular Setting Assembly
46	YWTL1100-46	62409	Screw
47	YWTL1100-47	62410	Spring Washer
48	YWTL1100-48	62442	Gear Assembly
49	YWTL1100-49	662471	Speed Label
50	YWTL1100-50	62472	Label
51	YWTL1100-51	62478	Hex Screw
52	YWTL1100-52	62484	Back
53	YWTL1100-53	62485	Bolt-B
54	YWTL1100-54	62486	Clamp-B
55	YWTL1100-55	62497	Eccentric Rod
56	YWTL1100-56	62498	Tool Rest Body
57	YWTL1100-57	62499	Handle Assembly
58	YWTL1100-58	62500	Extension Tool Rest
59	YWTL1100-59	62501	Lock Handle-tailstock
60	YWTL1100-60	62502	Tool Rest
61	YWTL1100-61	62503	Tailstock Spur
62	YWTL1100-62	62504	Tail Spindle
63	YWTL1100-63	62505	Tail Stock Screw
64	YWTL1100-64	62510	Handle Assembly
65	YWTL1100-65	62511	Tailstock
66	YWTL1100-66	62512	Washer
67	YWTL1100-67	62514	Handle Wheel
68	YWTL1100-68	62549	Screw
69	YWTL1100-69	62551	Screw
71	YWTL1100-71	62554	Screw
72	YWTL1100-72	62629	Switch Box
73	YWTL1100-73	62630	Switch
74	YWTL1100-74	62631	Power Cord
76	YWTL1100-76	62632	Capacitor
77	YWTL1100-77	62635	Digital Readout
78	YWTL1100-78	62639	Nut
79	YWTL1100-79	61642	Washer
80	YWTL1100-80	62643	Carriage Bolt Stand
81	YWTL1100-81	62644	Stand Upper Cover
82	YWTL1100-82	62645	Stand Leg-I
83	YWTL1100-83	62646	Stand Leg-II
84	YWTL1100-84	62647	Tool Table

Helpline: (023) 8049 4344. Sales Desk: (023) 8049 4333. General Enquiries: (023) 8026 6355.

DRAPER TOOLS LTD, HURSLEY ROAD, CHANDLER'S FORD, EASTLEIGH, HANTS. SO53 1YF. U.K website: www.drapertools.com e-mail: sales@drapertools.com

DKKC240714